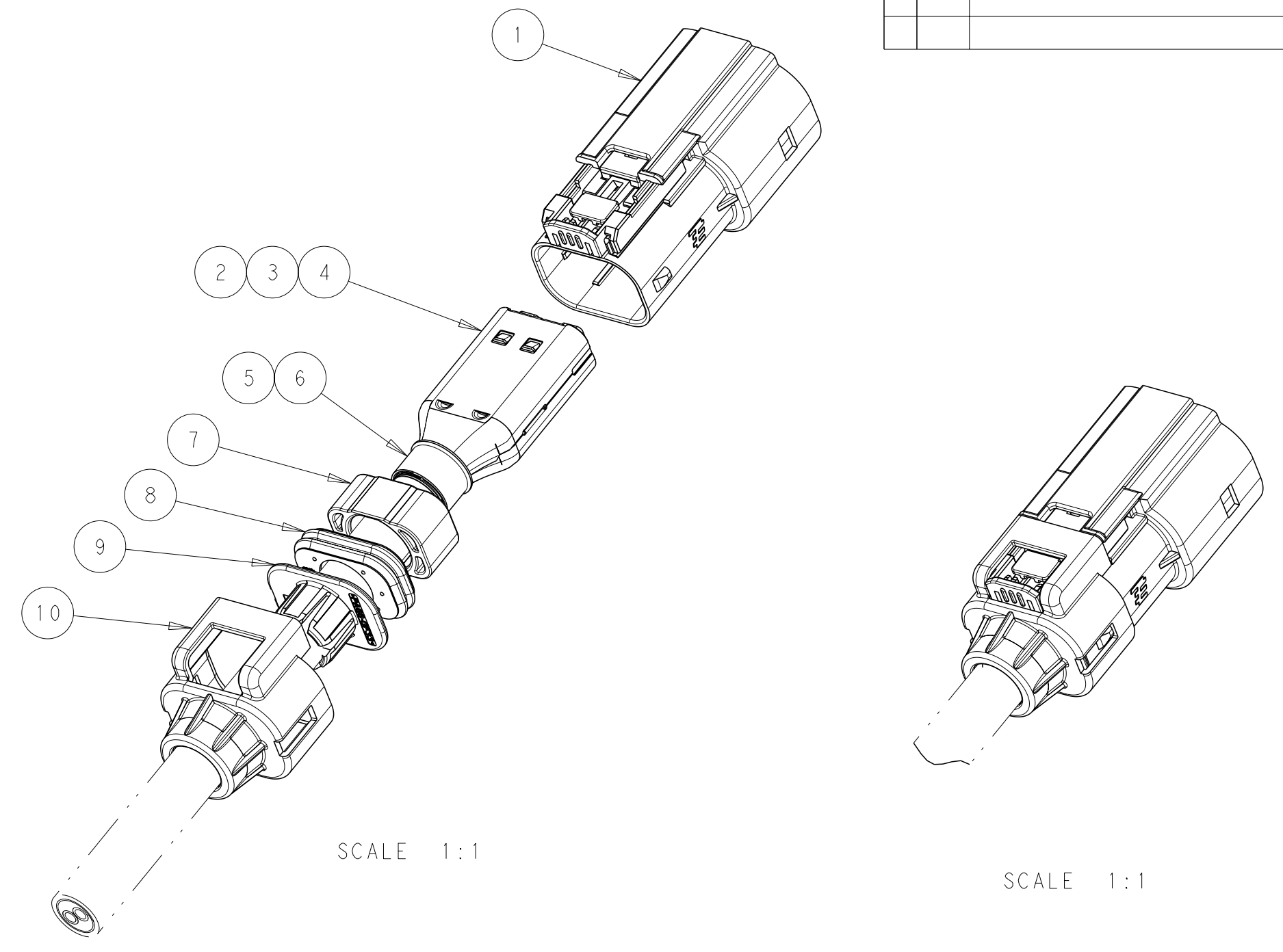
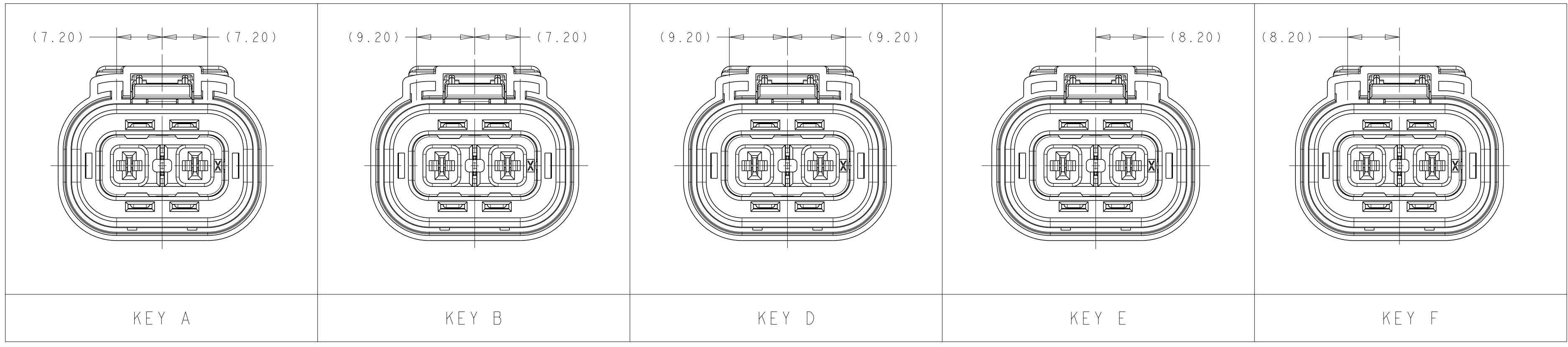
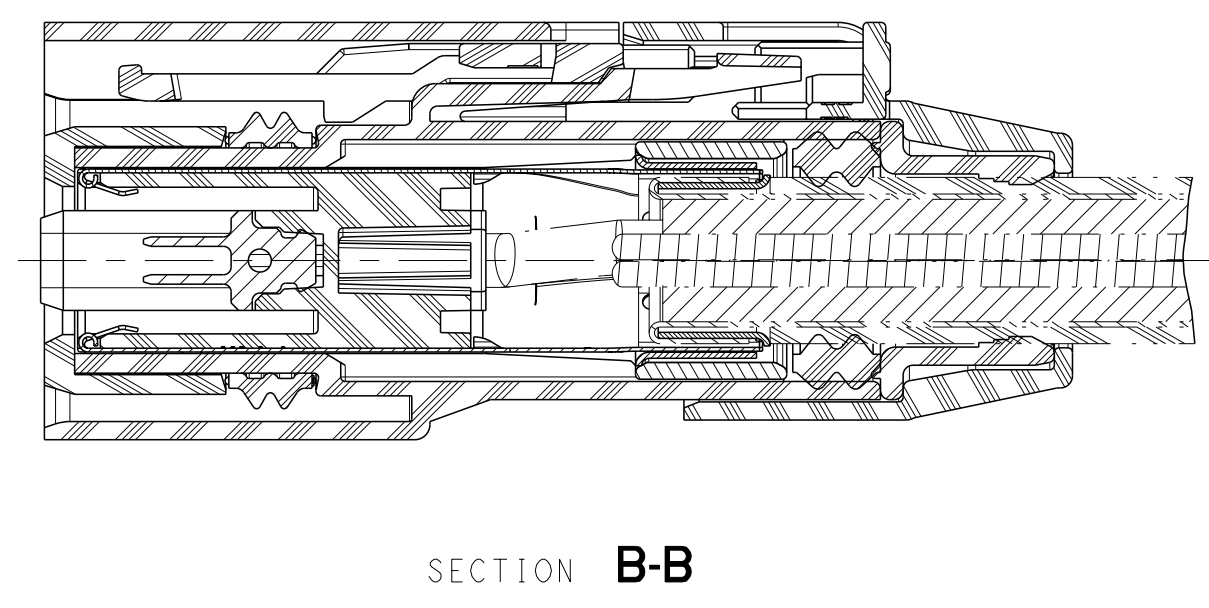
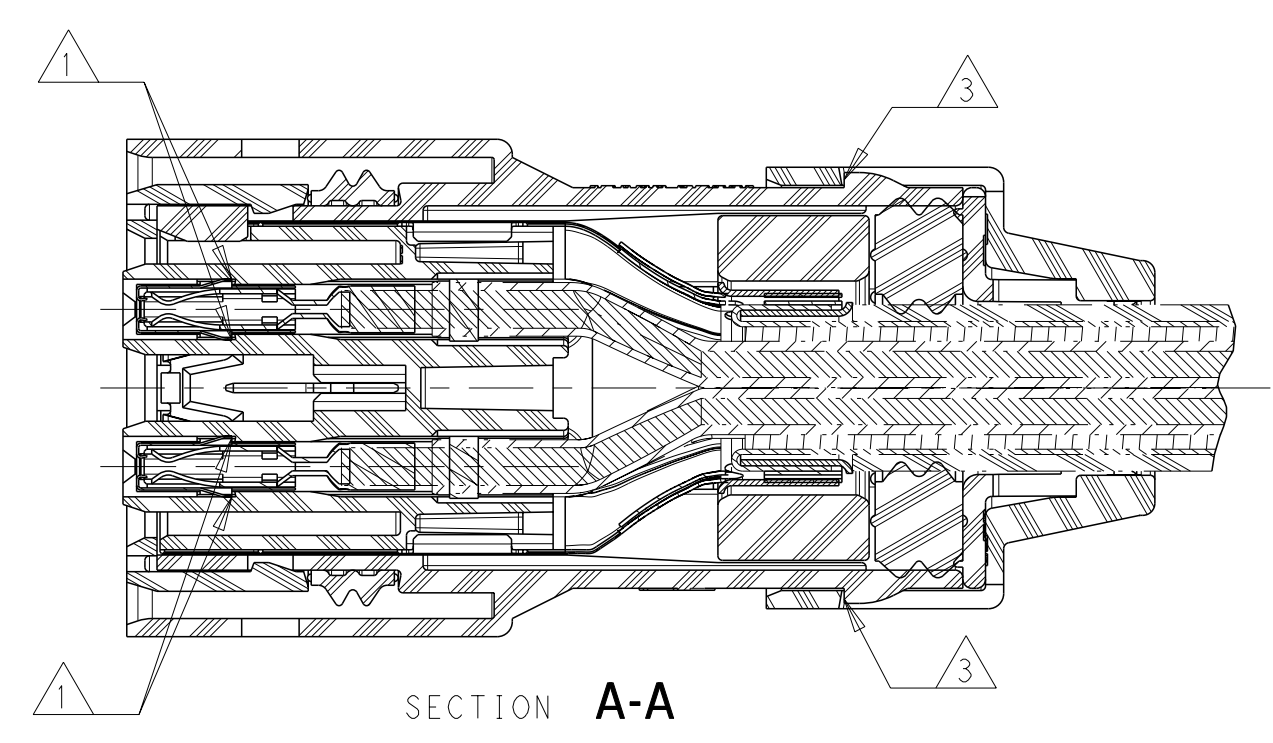
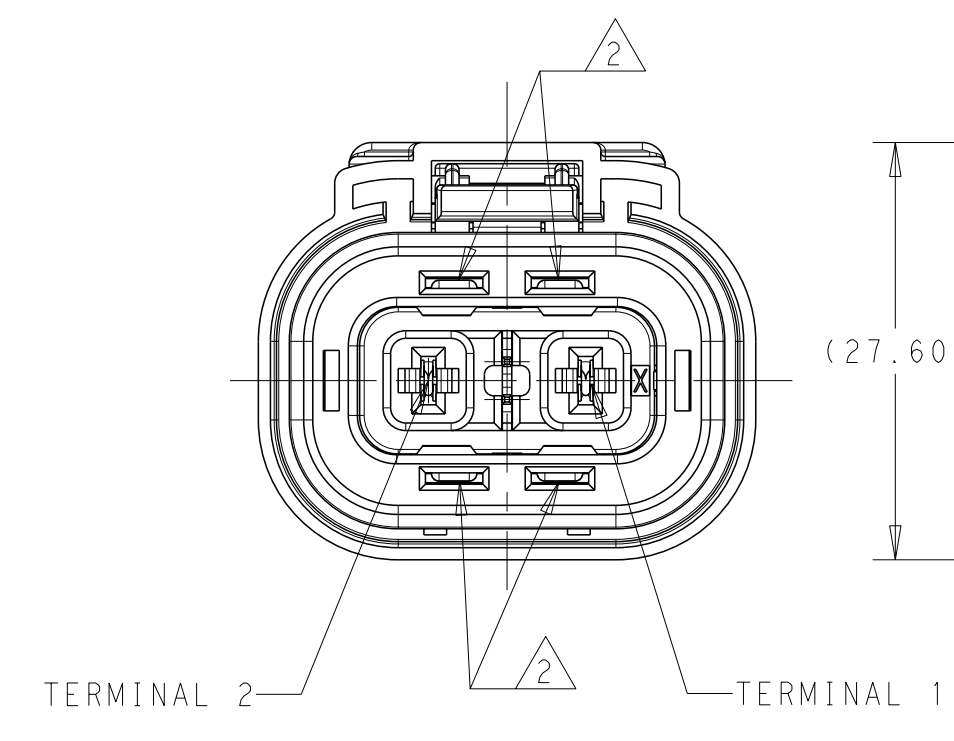
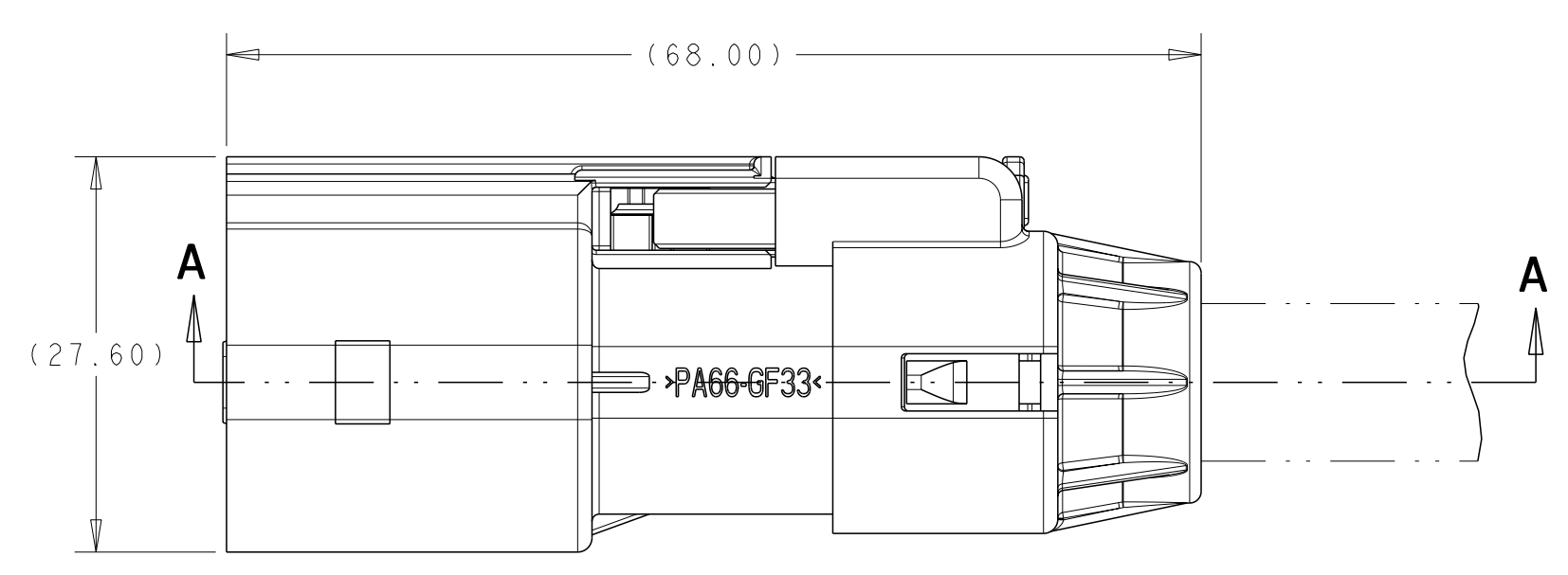
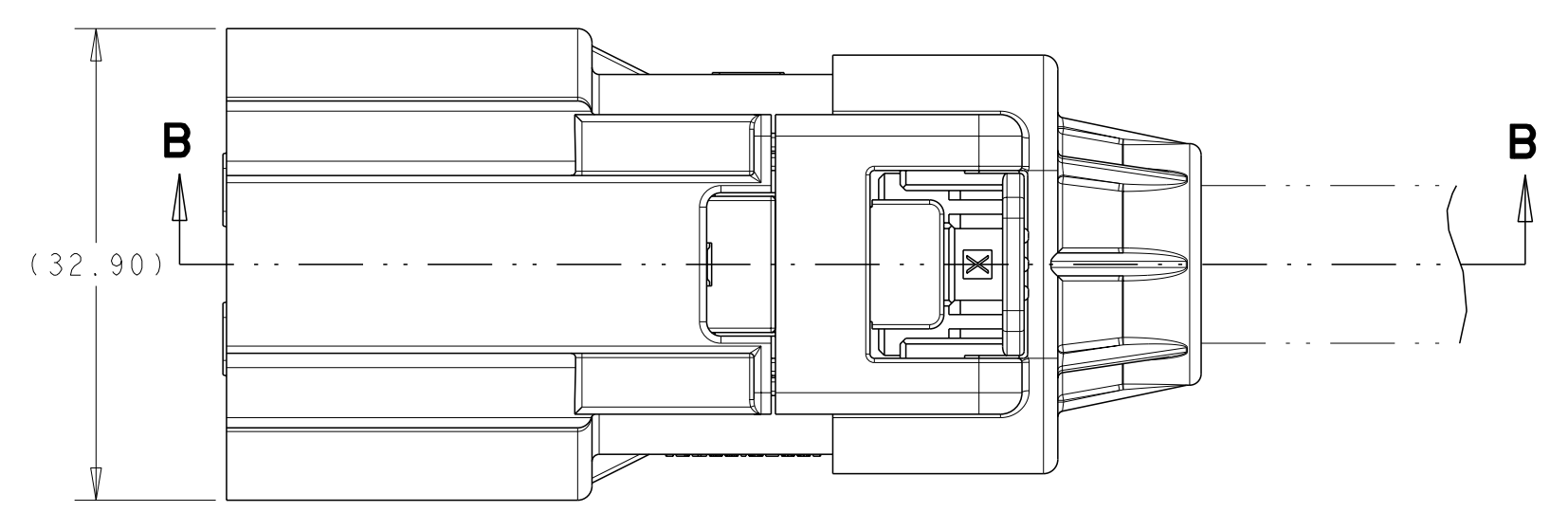


REVISIONS				
P	LYR	DESCRIPTION	DATE	APPV
A2		ECO-14-004886	31MAR2014	DR DR
A3		ECO-18-014358	09SEP2018	PK DR



- 1 ALL TERMINALS MUST BE FULLY SEATED AND LOCKED IN POSITION TWO PLACES PER TERMINAL
- 2 INNER HOUSING SUB-ASSEMBLY MUST BE FULLY LOCKED 4 PLACES
- 3 CABLE SEAL RETAINER MUST BE FULLY LOCKED 2 PLACES
- 4 PARTS ARE NOT AVAILABLE BY THESE NUMBERS FULLY ASSEMBLED AS SHOWN. FINAL ASSEMBLY REQUIRES INDIVIDUAL COMPONENTS OR SUB-ASSEMBLIES LISTED IN THE PARTS LIST AND AVAILABLE SEPARATELY FROM TE. CONSULT INDIVIDUAL CUSTOMER DRAWINGS FOR PART RELEASE STATUS.
- 5 VALIDATED CABLE / SUBCOMPONENT COMBINATION
- 6. MATES WITH Ag SHIELD HEADERS SHOWN ON TE DRAWING 2103124
- 7. NOTE DELETED



QTY	REQ PER ASSY	PART NO	DESCRIPTION	ITEM NO
1	1	2103013-2	SEAL RETAINER, CABLE, SIZE 2	10
1	1	2103013-1	SEAL RETAINER, CABLE, SIZE 1	10
1	1	2103155-3	COLLET, SIZE 3	9
1	1	2103155-1	COLLET, SIZE 1	9
1	1	2103154-3	SEAL, CABLE, SIZE 3	8
1	1	2103154-1	SEAL, CABLE, SIZE 1	8
1	1	2103153-1	SPACER	7
1	1	1587724-2	FERRULE, OUTER, SIZE B	6
1	1	1587724-3	FERRULE, OUTER, SIZE C	6
1	1	1587723-2	FERRULE, INNER, SIZE B	5
1	1	1587723-3	FERRULE, INNER, SIZE C	5
2	2	1-2103157-2	SHIELD, PLUG, Ag, SIZE 2	4
2	2	1-2103157-1	SHIELD, PLUG, Ag, SIZE 1	4
2	2	1-968851-3	MCP 2.8 TERMINAL FEMALE, Ag, >1.0-2.5mm <sup>2</sup>	3
2	2	1-968853-3	MCP 2.8 TERMINAL FEMALE, Ag, >2.5-4.0mm <sup>2</sup>	3
1	1	1587985-1	INNER HOUSING, SUBASSY, SHUNTED	2
1	1	4-2103015-6	PLUG SUBASSY, KEY F, FINGER LATCH, WITH CPA	1
1	1	4-2103015-5	PLUG SUBASSY, KEY E, FINGER LATCH, WITH CPA	1
1	1	4-2103015-4	PLUG SUBASSY, KEY D, FINGER LATCH, WITH CPA	1
1	1	4-2103015-2	PLUG SUBASSY, KEY B, FINGER LATCH, WITH CPA	1
1	1	4-2103015-1	PLUG SUBASSY, KEY A, FINGER LATCH, WITH CPA	1

REFERENCE NUMBER 4  
 THESE NUMBERS ARE FOR REFERENCE PURPOSE ONLY AND ARE NOT FOR SALE

QTY REQ PER ASSY	PART NO	DESCRIPTION	ITEM NO
5	COROPLAST 9-2641	CABLE SUPPLIER / SPECIFICATION	
5	2x2.5mm <sup>2</sup>	CABLE SIZE	
5	DRAKA FLR91XBC33X	CABLE SUPPLIER / SPECIFICATION	
5	2x4.0mm <sup>2</sup>	CABLE SIZE	
5	COROPLAST 9-2641	CABLE SUPPLIER / SPECIFICATION	
5	2x4.0mm <sup>2</sup>	CABLE SIZE	

THIS DRAWING IS A CONTROLLED DOCUMENT.

OWN	D. RHEIN	01MAR2013
CHK	D. RHEIN	04MAR2013
APPV	A. GUANCO	04MAR2013

NAME: PLUG ASSEMBLY, SHUNTED HVIL, HVA280-2PHM, REFERENCE DRAWING

SIZE: 108-32020 APPLICATION SPEC  
 114-13305 CAGE CODE DRAWING NO: A100779C=2103437

CUSTOMER DRAWING SCALE 2:1 SHEET 1 OF 1 REV A3